

ECO.50

Magnetic drilling machine

EUROBOOR
FOR PROFESSIONALS BY PROFESSIONALS

Technical data

	Metric	Imperial
Annular cutting	Ø 12 - 50 mm	Ø 1/2" - 2"
Twist drilling	Ø 1 - 23 mm	Ø 1/16" - 15/16"
Countersinking	Ø 10 - 55 mm	Ø 3/8" - 2 3/16"
Length	320 mm	12 5/8"
Width	200 mm	7 7/8"
Height	445 - 615 mm	17 1/2" - 24 3/16"
Stroke	170 mm	6 11/16"
Weight*	12 kg	26.5 lbs
Magnet (l x w x h)	168 x 84 x 42 mm	6 5/8" x 3 5/16" x 1 5/8"
Magnetic force	1,700 kg	3,750 lbs
Motor power	1,250 W	11.4 A
Total power	1,300 W	11.8 A
Speed		(I) 380 rpm
(no load)		(II) 690 rpm
Speed		(I) 235 rpm
(load 1,250 W, 11.4 A)		(II) 415 rpm
Spindle (Weldon)	MT3 19.05 mm	MT3 3/4"
Voltage	110 - 120 V / 60 Hz 220 - 240 V / 50 - 60 Hz	

* Without power cord and handles

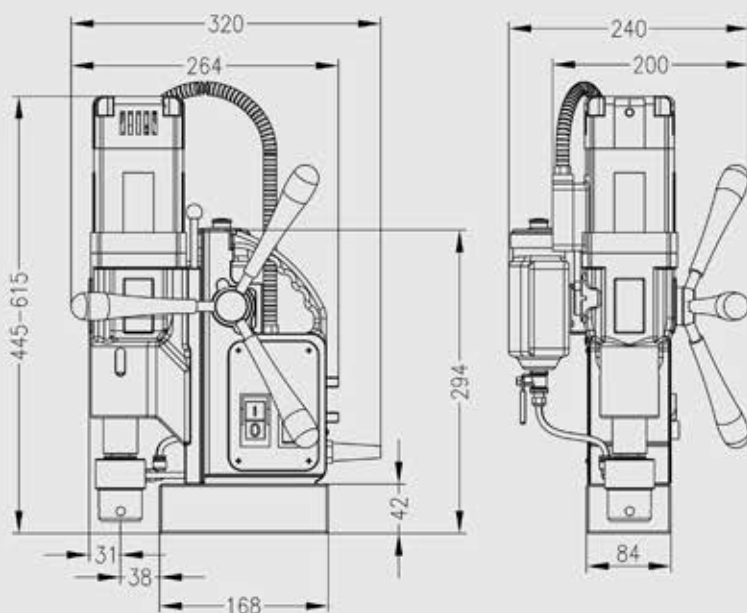
Features



Oil lubricated
gearbox



Magnet
LED-indicator
(SensorTec)



Euroboor makes every effort to meet quality and integrity requirements. That is why we as an organization are proud of the recognition of some leading organizations worldwide:



www.euroboor.com